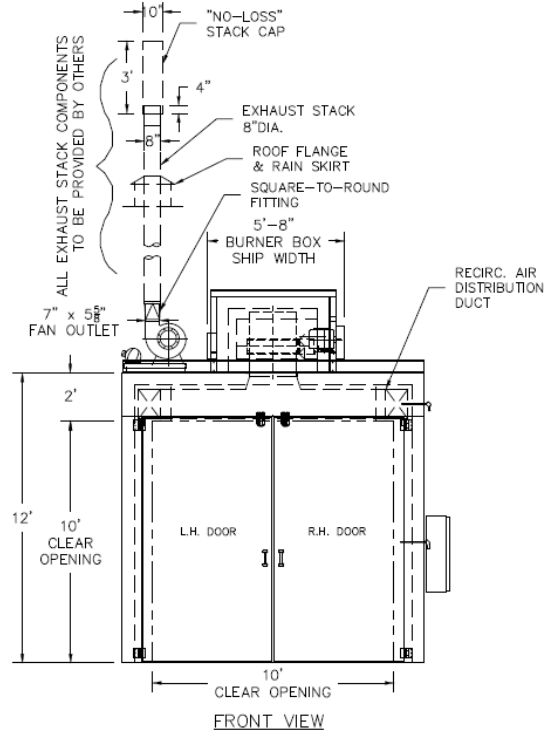




New Direct Gas-Fired Batch Oven



Oven is designed to operate at 450°F maximum temperature and include the following special features:

- 6" thick aluminized steel insulated oven panel construction
- Pre-assembled, prewired, and pre-piped **top mounted burner box system**
- Premium efficiency fan motors (1 horsepower and above)
- **Twin City Fan (TCF) or New York Blower** Forward Curve Air Kit
- **Midco** line burner set-up for natural gas
- **Filtered combustion inlet**
- Gas Manifold assembled with **FM Approved** Components
- Aluminized steel ceiling mounted ductwork w/ adjustable nozzles
- **New York Blower (NYB)** Exhaust fan
- Batch timer with alarm horn

Effective Work Area.....	10' W x 10' H x 16' L
Clear Door Opening.....	10' W x 10' H
Outside Dimensions.....	12' 6" W x 12' H x 17' L (Excluding Burner Box)
Burner.....	1,200,000 BTU
Recirculation Fan.....	7500 CFM; 5 HP
Exhaust Fan	870 CFM; .75 HP
Electric.....	460/3/60, 15-amp service require

Ready to ship: skidded panels, controls, and components
 Email sales@pemequip.com for pricing