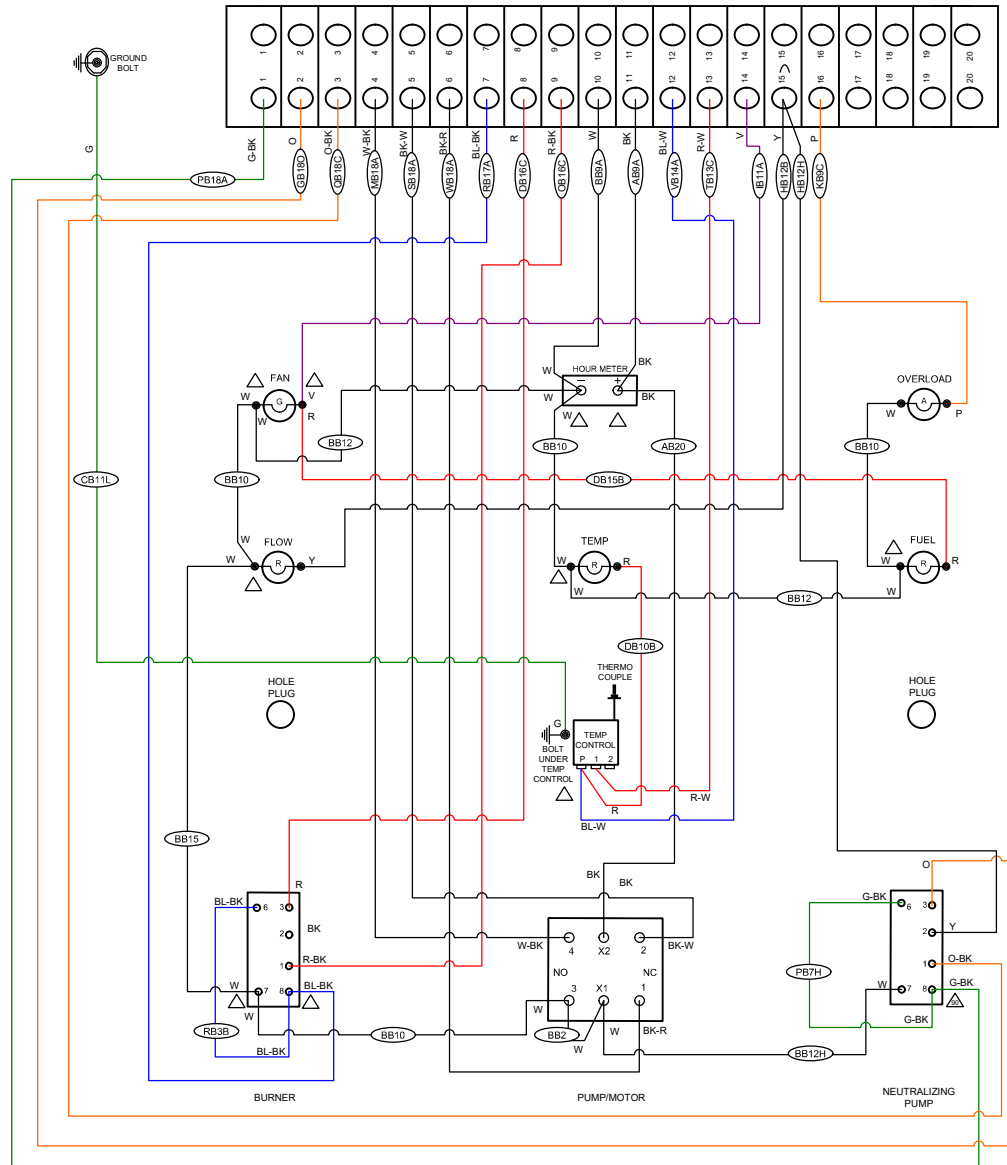


- △ = BLUE FORK
- = CAP
- = YELLOW EYELET
- △ = YELLOW PUSH-ON

TITLE		SCHEMATIC		PART NUMBER:	
MODEL:		P450-HE PEM 440/575V 5PH		F71-0040B	
DRAWN BY:		BH - TI - FH		DATE:	
				3-18-2021	



- △ = YELLOW PUSH ON
- △ = YELLOW PUSH ON 90 DEG
- △ = BLUE FORK
- ⊙ = YELLOW EYELET
- = YELLOW EYELET

WIRE COLOR LEGEND	
BK	= Black
W	= White
G	= Green
R	= Red
BR	= Brown
BL	= Blue
O	= Orange
Y	= Yellow
V	= Violet/Purple
GY	= Gray
P	= Pink
T	= Tan
W-BK	= White w/ Black Stripe
G-Y	= Green w/ Yellow Stripe
R-BK	= Red w/ Black Stripe
G-BK	= Green w/ Black Stripe
O-BK	= Orange w/ Black Stripe
BL-BK	= Blue w/ Black Stripe
BK-W	= Black w/ White Stripe
R-W	= Red w/ White Stripe
G-W	= Green w/ White Stripe
BL-W	= Blue w/ White Stripe
BK-R	= Black w/ Red Stripe
G/BK	= Green w/ Black Tape
G/O	= Green w/ Orange Tape
G/BL	= Green w/ Blue Tape

TITLE		PART NUMBER:	
WIRING DIAGRAM		F71-0039	
MODEL:	P400 PEM 440/675V 3PH	DATE:	8/10/2012
DRAWN BY:	BH	DATE:	8/10/2012